

Position	Qty.	Description	Single Price
	1	<p>CMV5-10 A-R-A-E-AVBE Product No.: 97908658</p> <p>CMV is a compact vertical multistage centrifugal pump, close-coupled with a: 3-phase, 220-240D/380-415Y V, 50 Hz totally enclosed fan cooled motor. The pump is with radial suction port and discharge port including a special designed mechanical shaft seal in the solution AVBE. Shaft, impellers, chambers and filling plugs are made of stainless steel. Suction and discharge are made of cast iron.</p> <p>The CMV can also operate with a CUE. Please find more information in the CUE part of Win/WebCAPS.</p> <p>Liquid: Pumped liquid: Acqua Minimum liquid temperature: -20 °C Liquid temp: 20 °C Density: 998.2 kg/m³</p> <p>Technical: Speed for pump data: 2900 rpm Actual calculated flow: 4.7 m³/h Resulting head of the pump: 80.1 m Shaft seal: AVBE Approvals on nameplate: CE</p> <p>Materials: Pump housing: Cast iron EN-JL1030 AISI 30 B Impeller: Stainless steel DIN W.-Nr. 1.4301 AISI 304 Rubber: EPDM</p> <p>Installation: Maximum ambient temperature: 55 °C Maximum operating pressure: 145 psi Max pressure at stated temp: 10 bar / 40 °C Flange standard: WHITWORTH THREAD RP Pump inlet: Rp 1 1/4 Pump outlet: Rp 1</p> <p>Electrical data: IE Efficiency class: IE2 Rated power - P2: 2.2 kW Mains frequency: 50 Hz Rated voltage: 3 x 220-240D/380-415Y V Service factor: 1 Rated current: 8,05-7,5/4,7-4,35 A Rated speed: 2890-2920 rpm IE efficiency: IE2 83,2 % Motor efficiency at full load: 83,2 % Enclosure class (IEC 34-5): 55 Insulation class (IEC 85): F</p> <p>Others: Net weight: 29.5 kg Gross weight: 32 kg</p>	Price on request

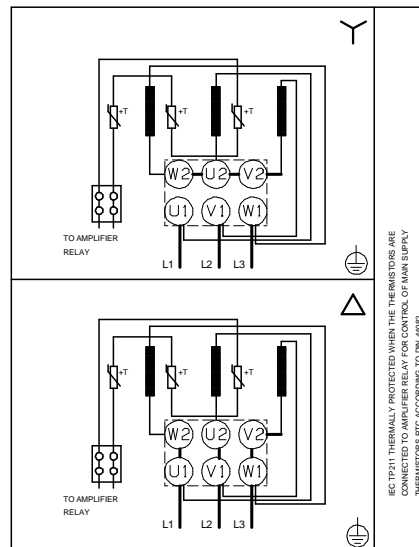
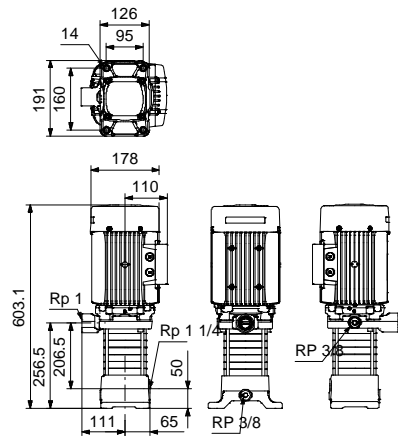
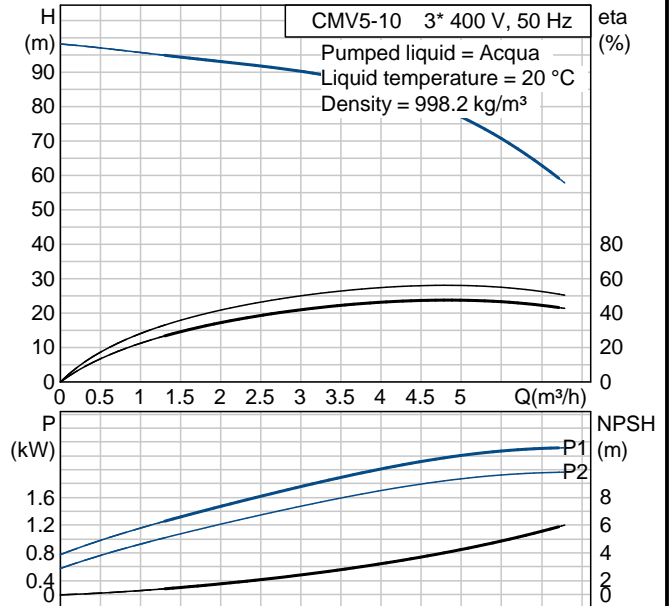
Description	Value
Product No:	CMV5-10 A-R-A-E-AVBE 97908658 5710626199662
Technical:	
Speed for pump data:	2900 rpm
Actual calculated flow:	4.7 m³/h
Resulting head of the pump:	80.1 m
Impellers:	10
Shaft seal:	AVBE
Approvals on nameplate:	CE
Pump version:	A
Model:	A
Materials:	
Pump housing:	Cast iron EN-JL1030 AISI 30 B
Impeller:	Stainless steel DIN W.-Nr. 1.4301 AISI 304
Material code:	A
Rubber:	EPDM
Code for rubber:	E

Installation:	
Maximum ambient temperature:	55 °C
Maximum operating pressure:	145 psi
Max pressure at stated temp:	10 bar / 40 °C
Flange standard:	WHITWORTH THREAD RP
Connect code:	R
Pump inlet:	Rp 1 1/4
Pump outlet:	Rp 1

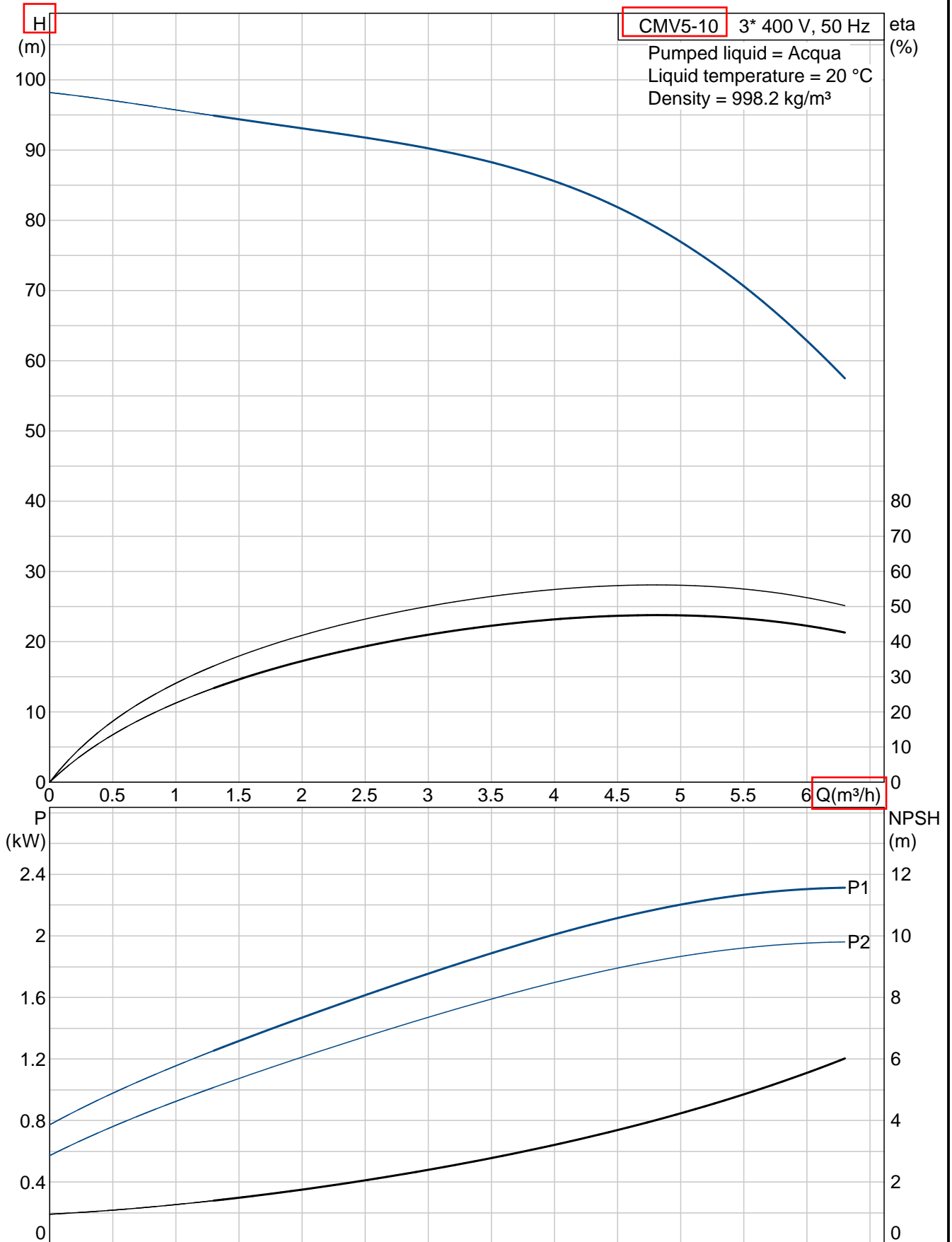
Liquid:	
Pumped liquid:	Acqua
Minimum liquid temperature:	-20 °C
Liquid temp:	20 °C
Density:	998.2 kg/m³

Electrical data:	
IE Efficiency class:	IE2
Rated power - P2:	2.2 kW
Mains frequency:	50 Hz
Rated voltage:	3 x 220-240D/380-415 V
Service factor:	1
Rated current:	8,05-7,5/4,7-4,35 A
Rated speed:	2890-2920 rpm
IE efficiency:	IE2 83,2 %
Motor efficiency at full load:	83,2 %
Enclosure class (IEC 34-5):	55
Insulation class (IEC 85):	F
Motor protec:	NO

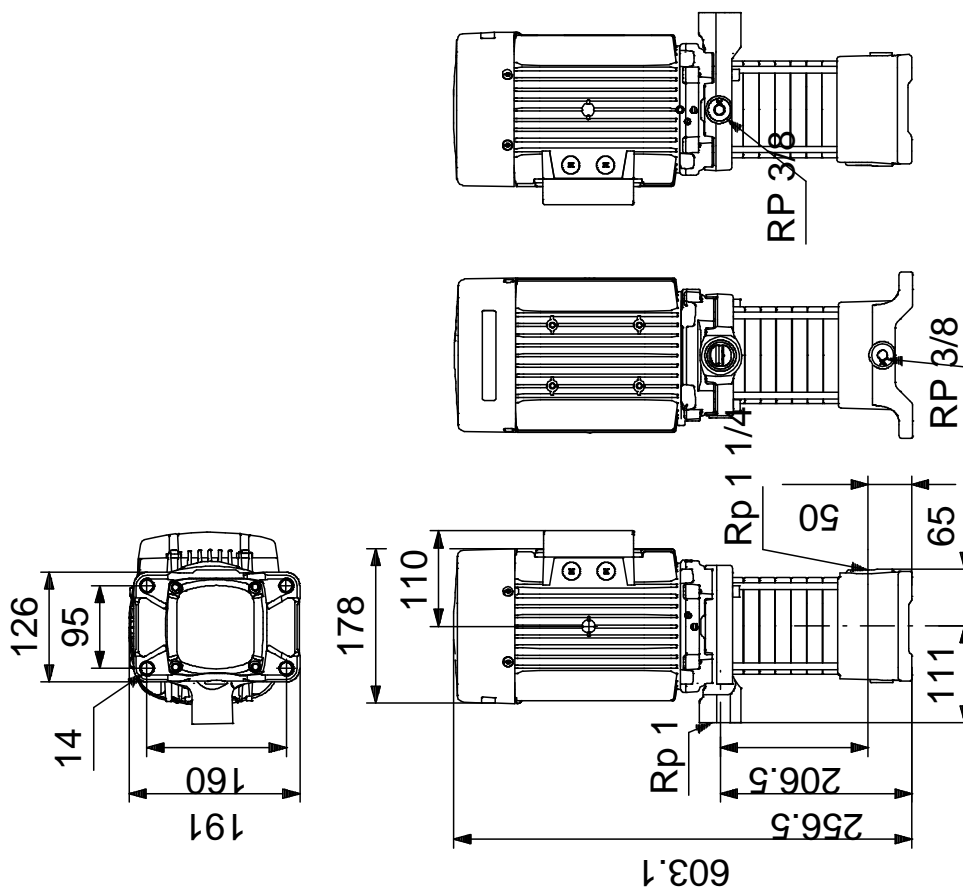
Others:	
Net weight:	29.5 kg
Gross weight:	32 kg



97908658 CMV5-10 50 Hz

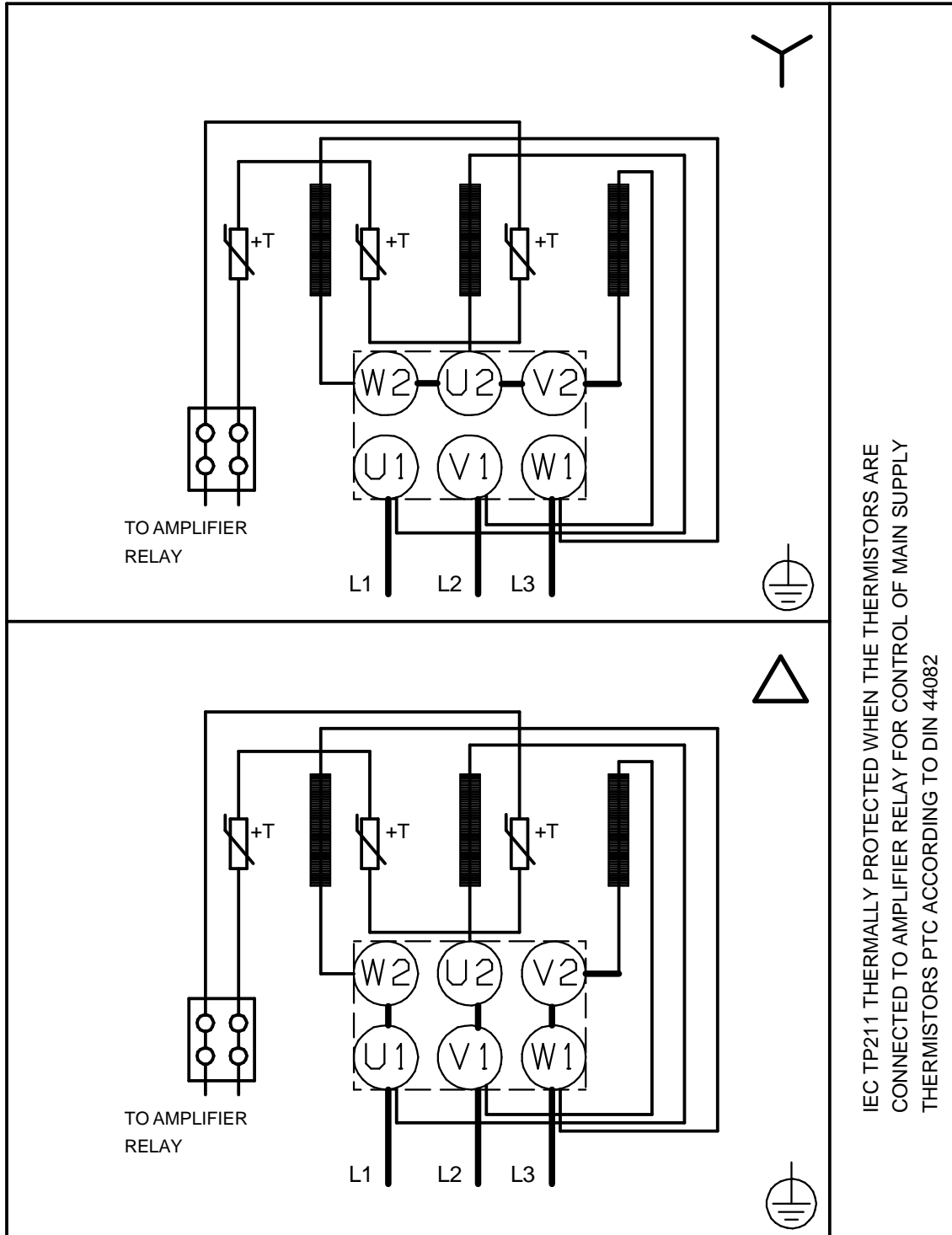


97908658 CMV5-10 50 Hz



Note! All units are in [mm] unless others are stated.
 Disclaimer: This simplified dimensional drawing does not show all details.

97908658 CMV5-10 50 Hz



IEC TP211 THERMALLY PROTECTED WHEN THE THERMISTORS ARE CONNECTED TO AMPLIFIER RELAY FOR CONTROL OF MAIN SUPPLY THERMISTORS PTC ACCORDING TO DIN 44082

Note! All units are in [mm] unless others are stated.